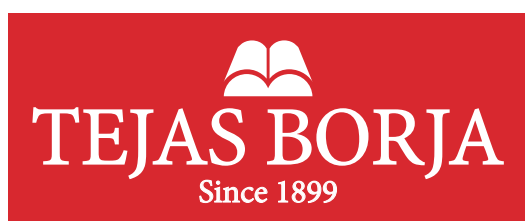




# EASY ROOF INTEGRATION KIT

QUICK INSTALLATION GUIDE



A brand of  
**EDILIAN'S GROUP**



**This 'EASY ROOF INTEGRATION Quick Installation Guide' document does not replace in any way the EASY ROOF INTEGRATION installation manual.**

All installations must be carried out in accordance with good practice and in compliance with the technical recommendations in these installation instructions.

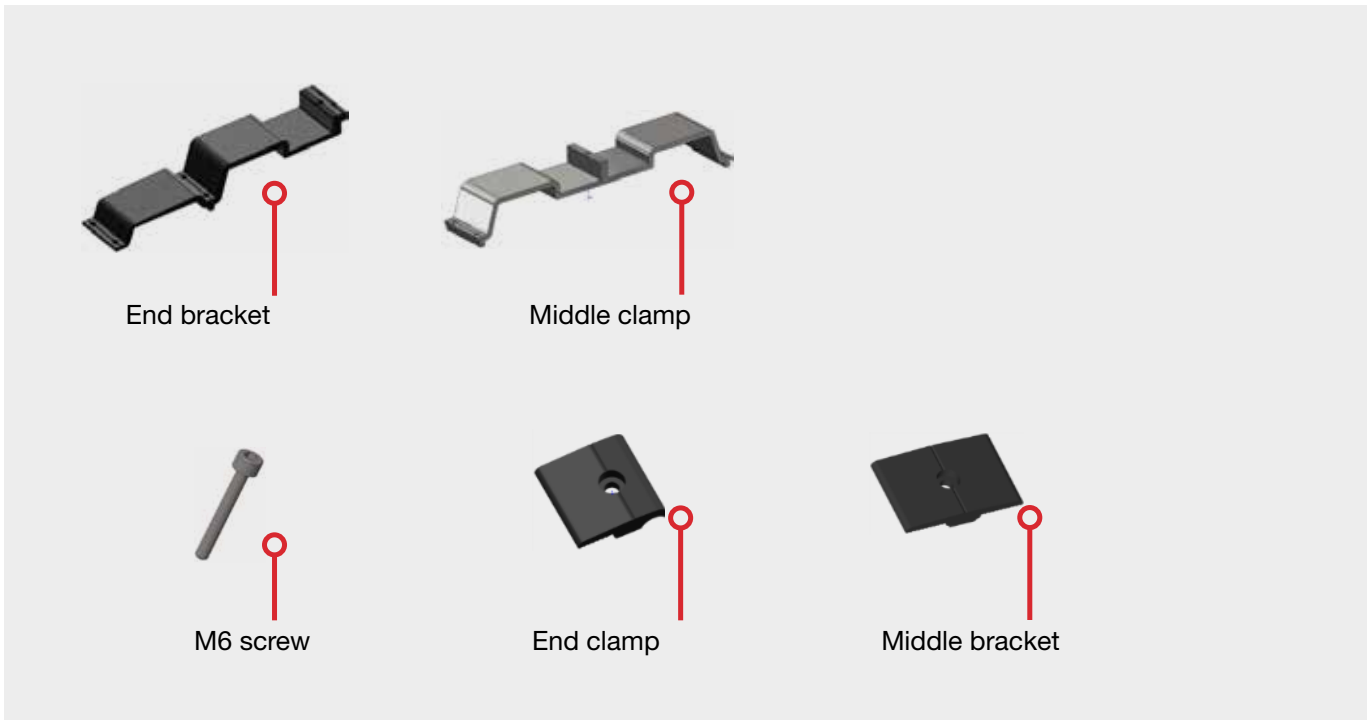
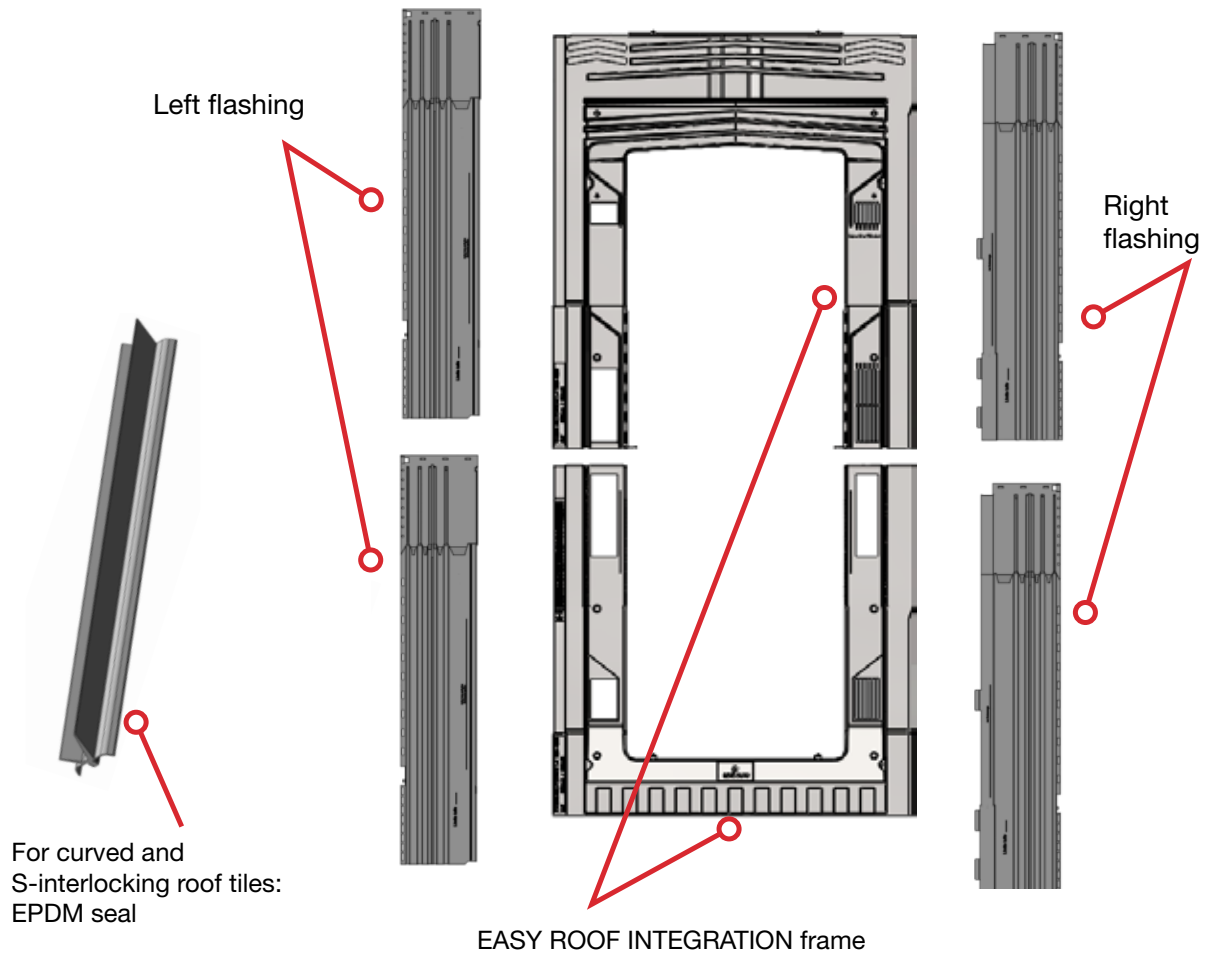
An under-roof membrane must be installed.

Please note: the diagrams in this document are shown without a membrane for greater clarity.

**For module compatibility contact :  
[solar@tejasborja.com](mailto:solar@tejasborja.com)**

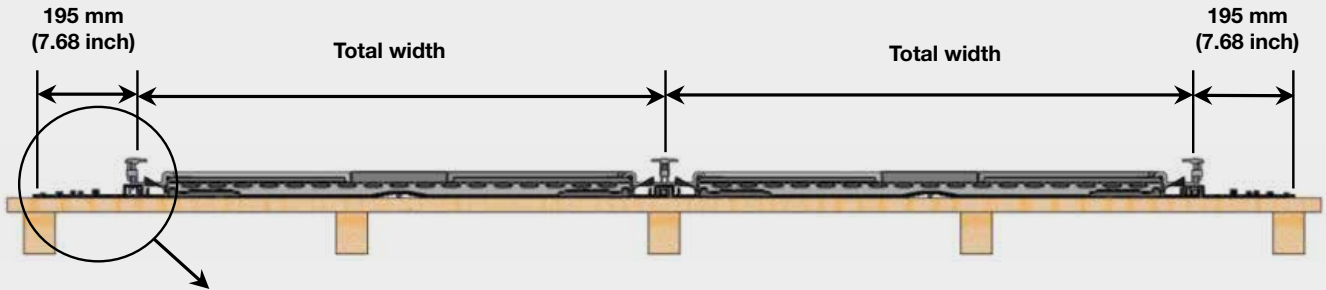
# Quick guide installation EASY ROOF INTEGRATION KIT

## Presentation of parts ERI

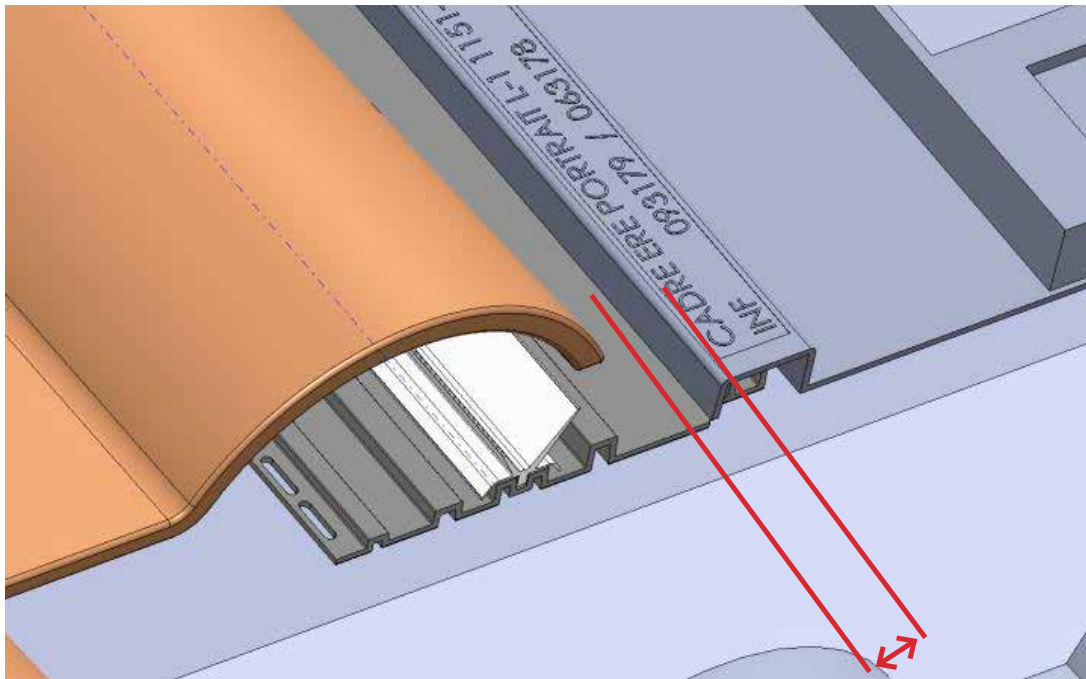


# Quick guide installation EASY ROOF INTEGRATION KIT

## 2A. Overall dimensions (layout)



Module width	Total width
1031 - 1050 mm   40,59 - 41,34 inch	1066 mm   41.97 inch
1051 - 1070 mm   41,38 - 42,13 inch	1086 mm   42.83 inch
1091 - 1110 mm   42,95 - 43,7 inch	1126 mm   44.33 inch
1131 - 1150 mm   44,53 - 45,28 inch	1166 mm   45.91 inch



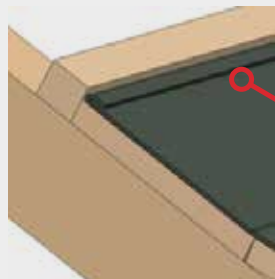
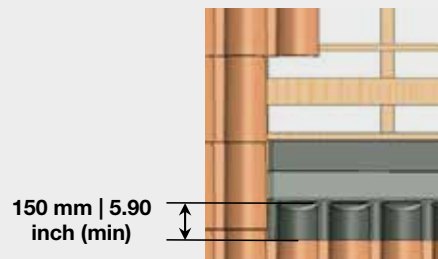
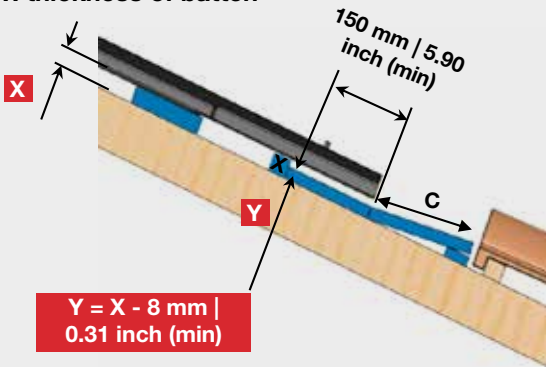
40 mm (1.57 inch) maximum  
(roof tile limit marking)

# Quick guide installation EASY ROOF INTEGRATION KIT

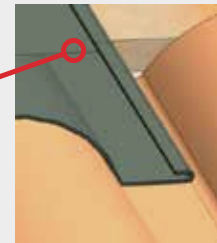
## 2. Installation in a full square

Slope of roof (*)	Slope of roof (%)	Width of the board C min.
10 to 12	17,5 to 23	250 mm   9.84 inch
13 to 16	23 to 30	220 mm   8.66 inch
17 to 19	30 to 36	180 mm   7.08 inch
20 to 24	36 to 46	150 mm   5.90 inch
25 to 50	46 to 119	120 mm   4.72 inch

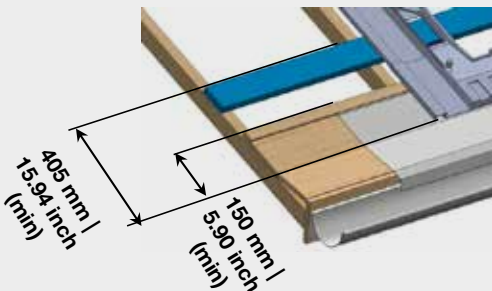
X: thickness of fastening board  
Y: thickness of batten



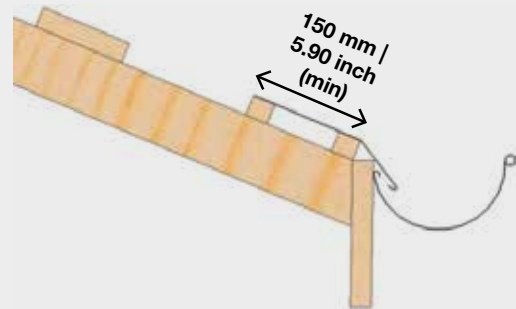
Fold back the flashing by 10 to 15 mm (0.39 - 0.59 inch) on the right, left and top edges.



## 2B. Installation on the eave line

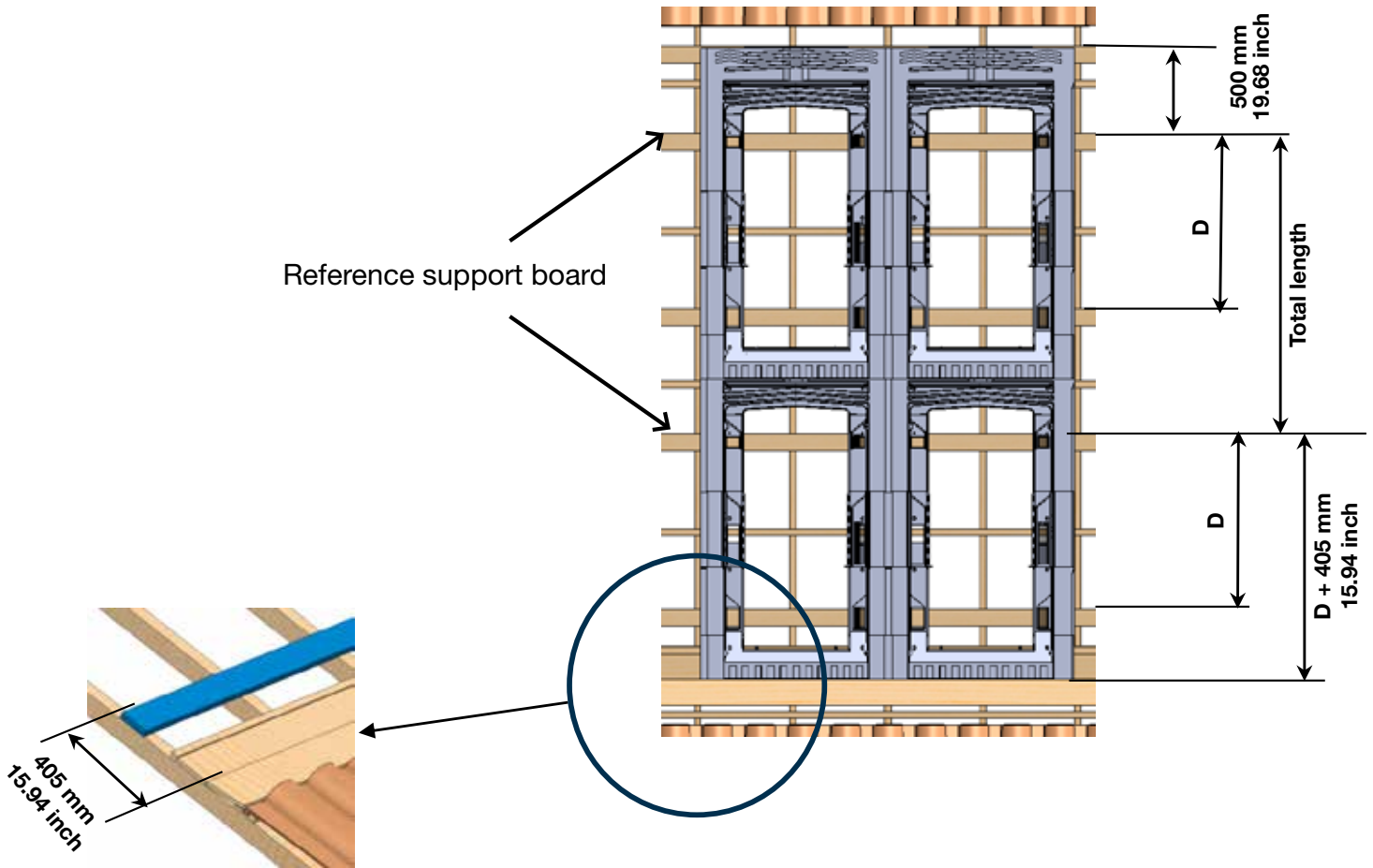


OR



# Quick guide installation EASY ROOF INTEGRATION KIT

## 3. Battens and boards laying

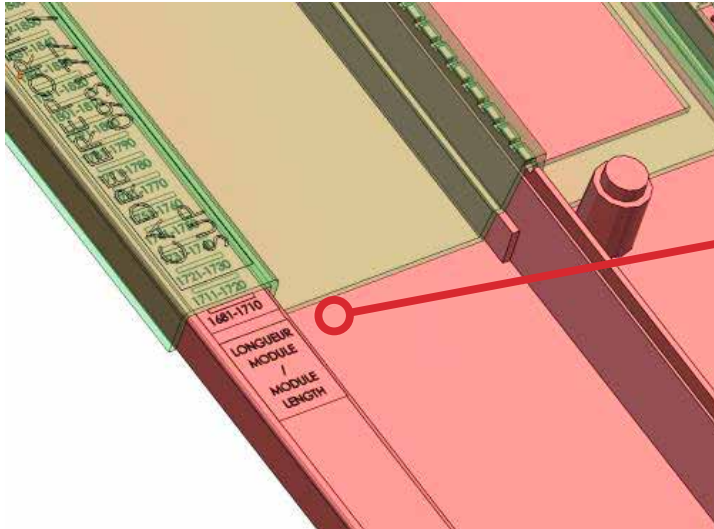


MODULE LENGHT	SYSTEM INCREMENT	D
1681 - 1710 mm   66,18 - 67,32 inch	1715 mm   67,52 inch	1000 mm   39,37 inch
1711 - 1720 mm   67,36 - 67,72 inch	1725 mm   67,91 inch	1010 mm   39,76 inch
1721 - 1730 mm   67,76 - 68,11 inch	1735 mm   68,31 inch	1020 mm   40,16 inch
1731 - 1740 mm   68,15 - 68,5 inch	1745 mm   68,7 inch	1030 mm   40,55 inch
1741 - 1750 mm   68,54 - 68,9 inch	1755 mm   69,09 inch	1040 mm   40,94 inch
1751 - 1760 mm   68,94 - 69,29 inch	1765 mm   69,49 inch	1050 mm   41,34 inch
1761 - 1770 mm   69,33 - 69,69 inch	1775 mm   69,88 inch	1060 mm   41,73 inch
1771 - 1780 mm   69,72 - 70,08 inch	1785 mm   70,28 inch	1070 mm   42,13 inch
1781 - 1790 mm   70,12 - 70,47 inch	1795 mm   70,67 inch	1080 mm   42,52 inch
1791 - 1800 mm   70,51 - 70,87 inch	1805 mm   71,06 inch	1090 mm   42,91 inch
1801 - 1810 mm   70,91 - 71,26 inch	1815 mm   71,46 inch	1100 mm   43,31 inch
1811 - 1820 mm   71,3 - 71,65 inch	1825 mm   71,85 inch	1110 mm   43,7 inch
1821 - 1830 mm   71,69 - 72,05 inch	1835 mm   72,24 inch	1120 mm   44,09 inch
1831 - 1840 mm   72,09 - 72,44 inch	1845 mm   72,64 inch	1130 mm   44,49 inch
1841 - 1850 mm   72,48 - 72,83 inch	1855 mm   73,03 inch	1140 mm   44,88 inch
1851 - 1860 mm   72,87 - 73,23 inch	1865 mm   73,43 inch	1150 mm   45,28 inch

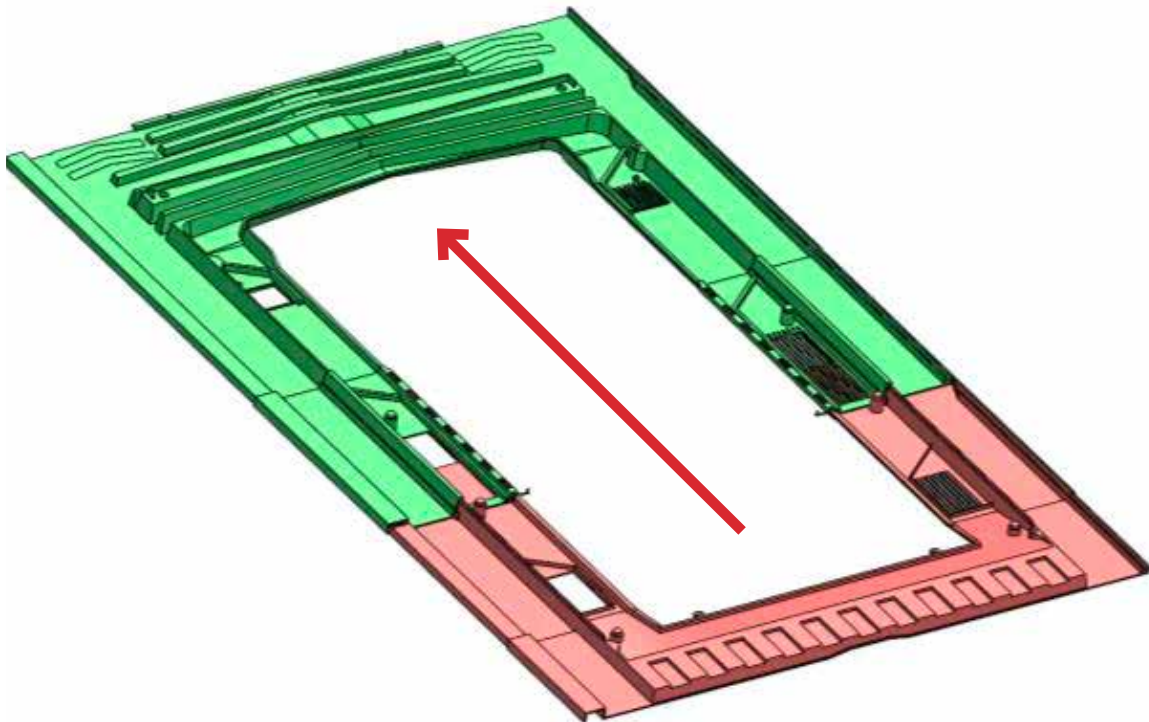
MODULE LENGHT	SYSTEM INCREMENT	D
1861 - 1870 mm   73,27 - 73,62 inch	1875 mm   73,82 inch	1160 mm   45,67 inch
1871 - 1880 mm   73,66 - 74,02 inch	1885 mm   74,21 inch	1170 mm   46,06 inch
1881 - 1890 mm   74,06 - 74,41 inch	1895 mm   74,61 inch	1180 mm   46,46 inch
1891 - 1900 mm   74,45 - 74,8 inch	1905 mm   75 inch	1190 mm   46,85 inch
1901 - 1910 mm   74,84 - 75,2 inch	1915 mm   75,39 inch	1200 mm   47,24 inch
1911 - 1920 mm   75,24 - 75,59 inch	1925 mm   75,79 inch	1210 mm   47,64 inch
1921 - 1930 mm   75,63 - 75,98 inch	1935 mm   76,18 inch	1220 mm   48,03 inch
1931 - 1940 mm   76,02 - 76,38 inch	1945 mm   76,57 inch	1230 mm   48,43 inch
1941 - 1950 mm   76,42 - 76,77 inch	1955 mm   76,97 inch	1240 mm   48,82 inch
1951 - 1960 mm   76,81 - 77,17 inch	1965 mm   77,36 inch	1250 mm   49,21 inch
1961 - 1970 mm   77,2 - 77,56 inch	1975 mm   77,76 inch	1260 mm   49,61 inch
1971 - 1980 mm   77,6 - 77,95 inch	1985 mm   78,15 inch	1270 mm   50 inch
1981 - 1990 mm   77,99 - 78,35 inch	1995 mm   78,54 inch	1280 mm   50,39 inch
1991 - 2000 mm   78,39 - 78,74 inch	2005 mm   78,94 inch	1290 mm   50,79 inch
2001 - 2010 mm   78,78 - 79,13 inch	2015 mm   79,33 inch	1300 mm   51,18 inch
2011 - 2020 mm   79,17 - 79,53 inch	2025 mm   79,72 inch	1310 mm   51,57 inch

## Quick guide installation EASY ROOF INTEGRATION KIT

### 4. Adjusting the frame



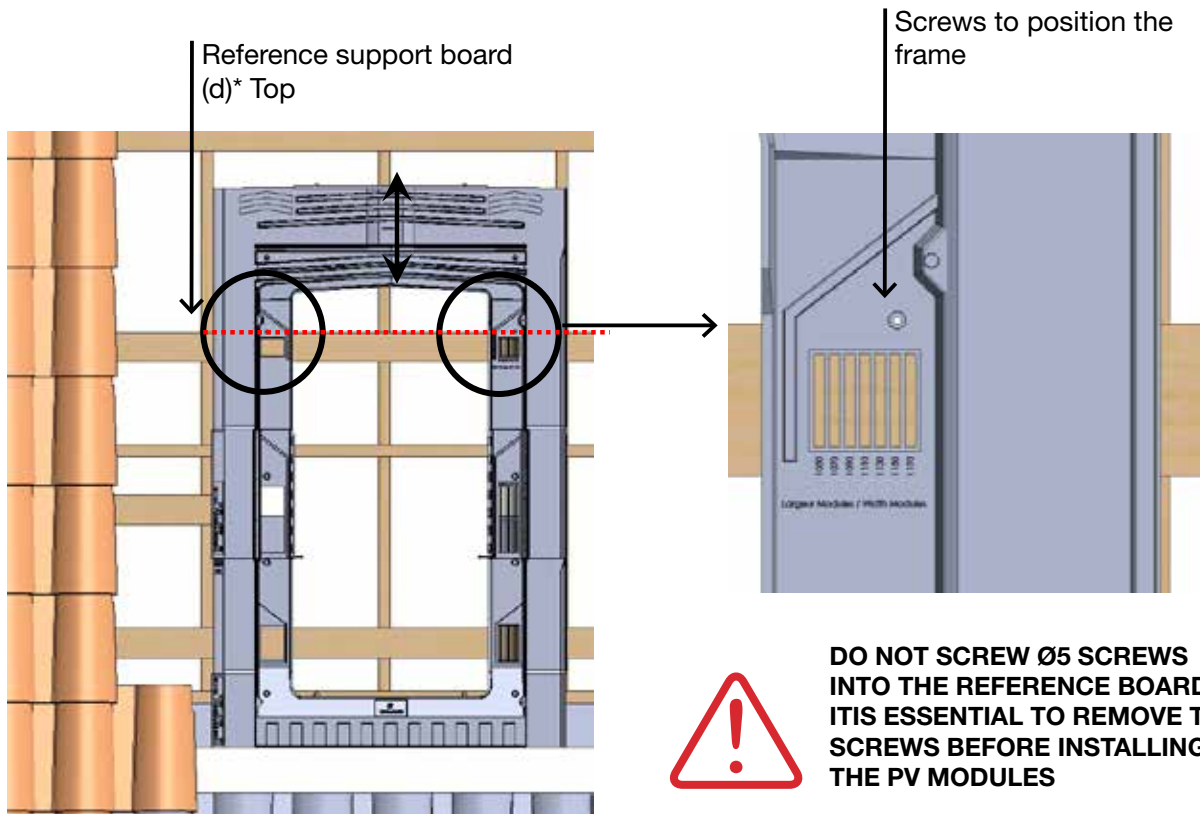
Module length  
(numerical caption)



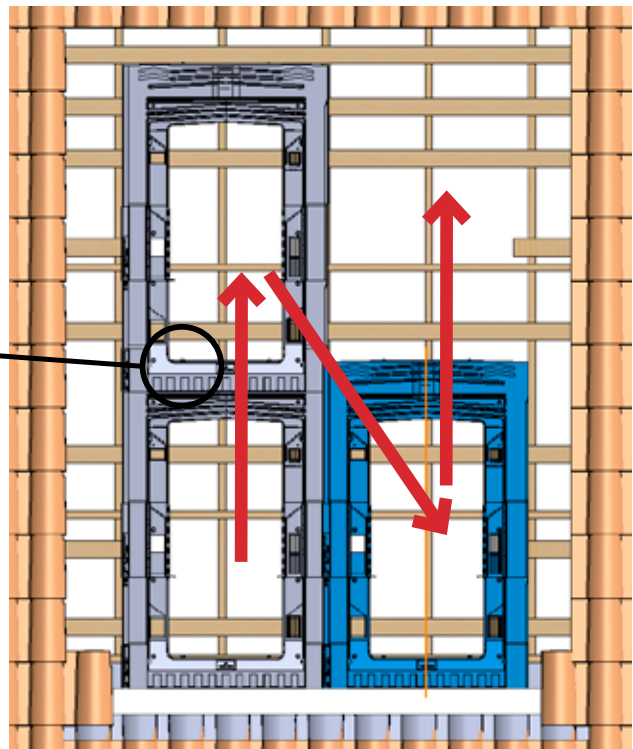
**Frames slide to fit the length of the module:  
adjustable in 10 mm (0.39 inch) increments**

# Quick guide installation EASY ROOF INTEGRATION KIT

## 5. Installation of frames



Start with the bottom frame on the left.



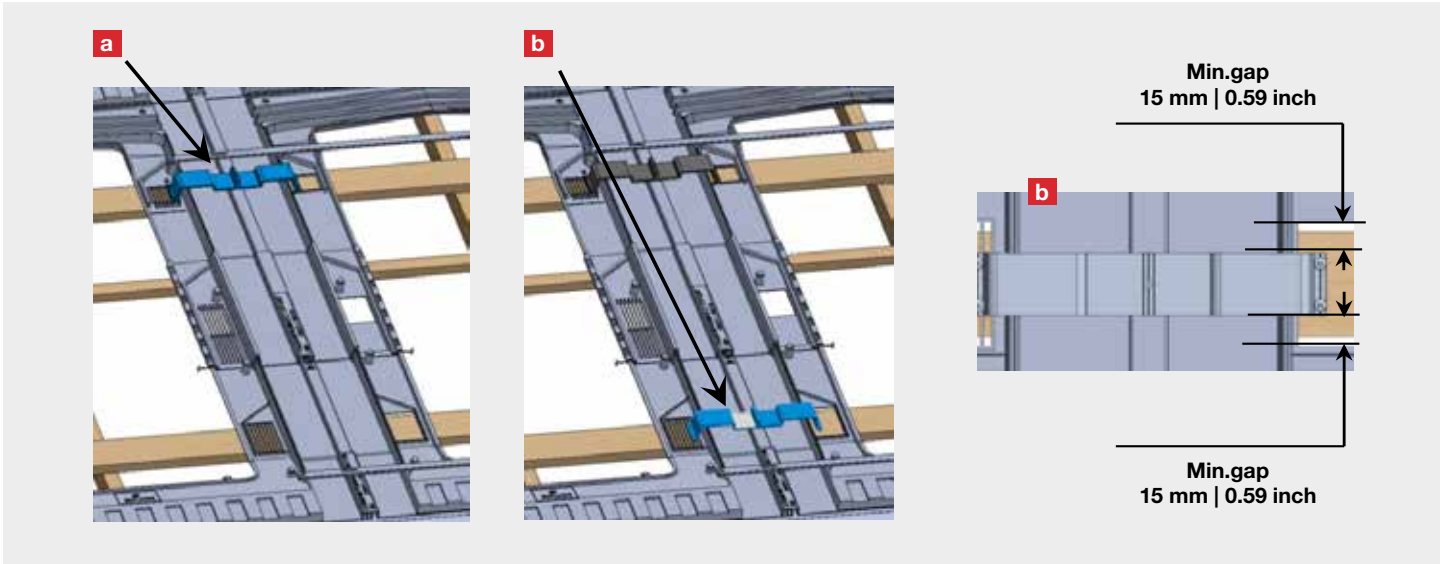


# Quick guide installation EASY ROOF INTEGRATION KIT

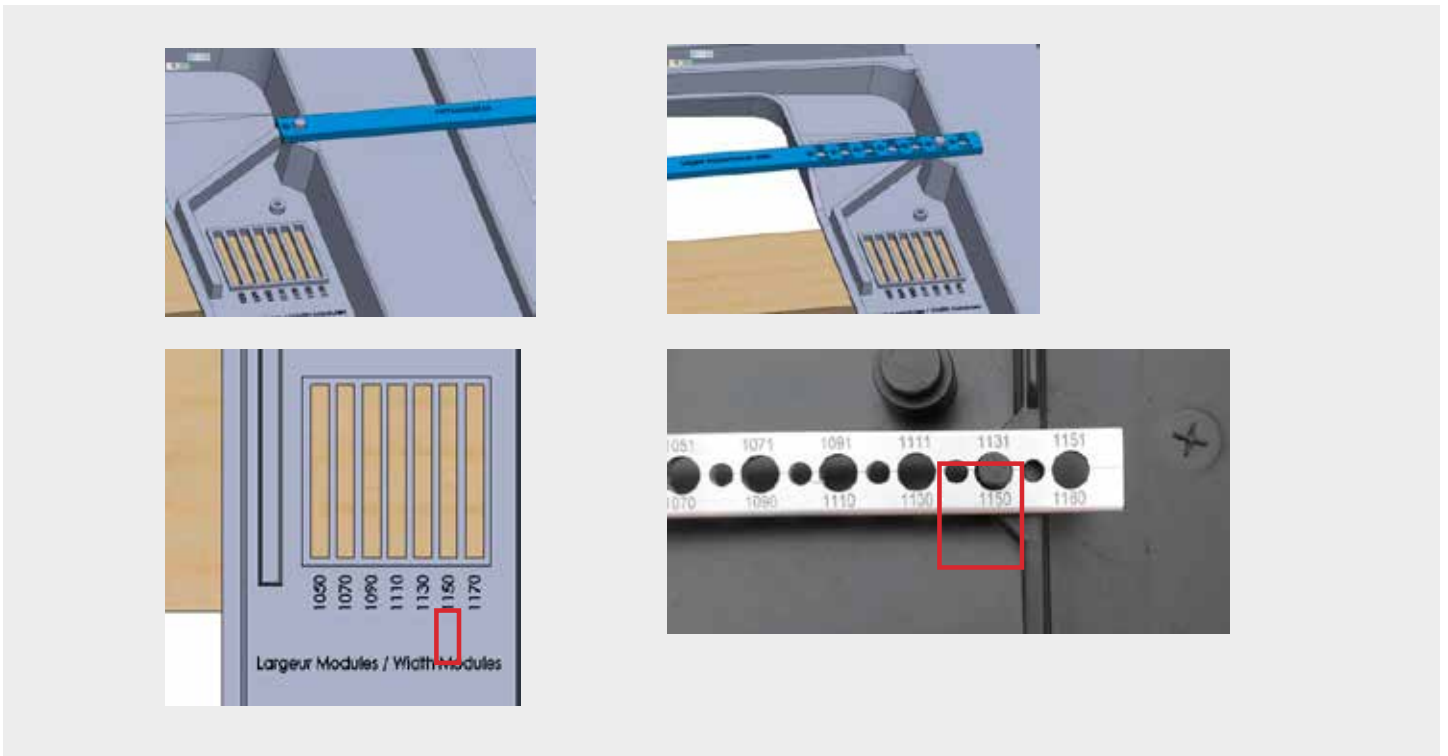
## 6. Screw the middle brackets

Begin by screwing the top bracket (a).

**Caution:** remove the frame positioning screw



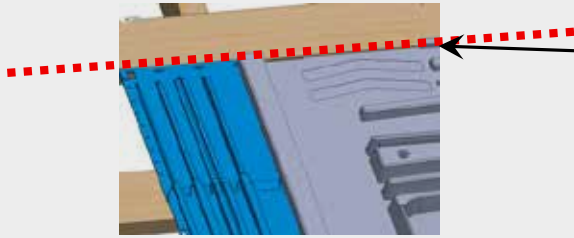
Use alignment guides to ensure correct frame spacing



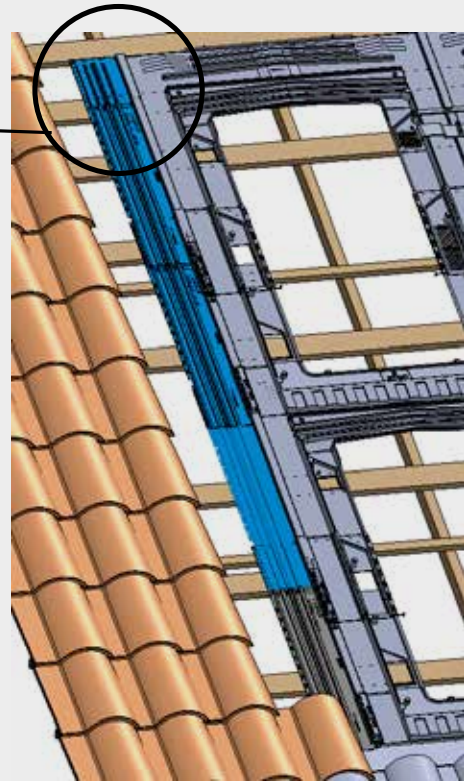
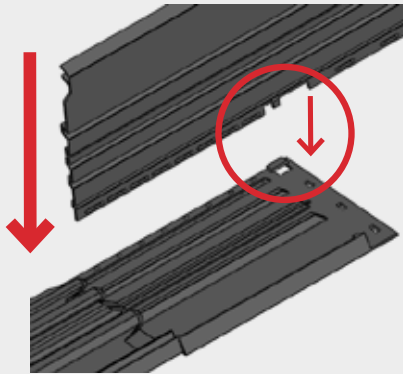
Frame	Installation of flashing
Frame 1031 - 1050 mm   40,59 - 41,34 inch	1050 mm   41,34 inch
Frame 1051 - 1070 mm   41,38 - 42,13 inch	1070 mm   42,13 inch
Frame 1091 - 1110 mm   42,95 - 43,7 inch	1110 mm   43,7 inch
Frame 1131 - 1150 mm   44,53 - 45,28 inch	1150 mm   45,28 inch

## Quick guide installation EASY ROOF INTEGRATION KIT

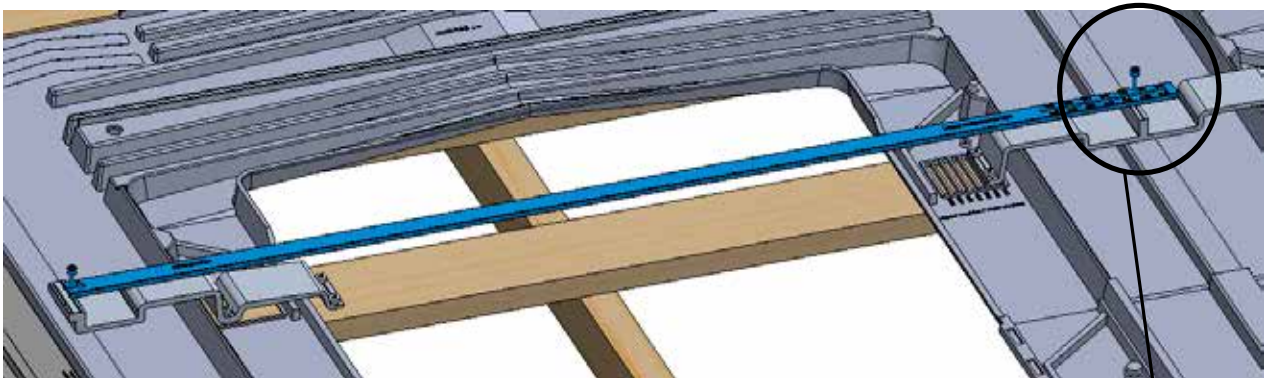
### 7. Installation of flashing



Align the top of the frame with the top of the flashing. Cut the top of the highest flashing as required.



### 8. Installation of end brackets

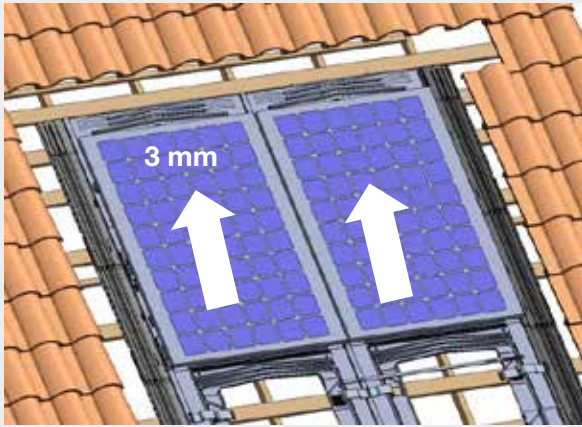


Use alignment guides to ensure correct spacing of the brackets.  
Use flange screws.



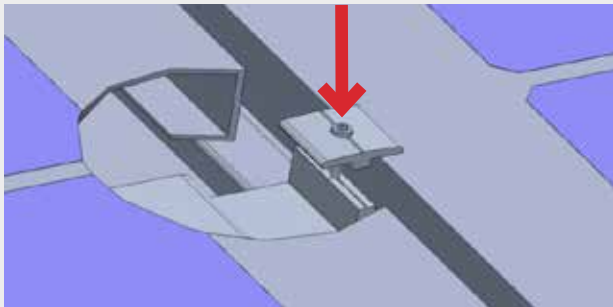
# Quick guide installation EASY ROOF INTEGRATION KIT

## 9. Installation of modules



Place the module on the top of the frame and then adjust if necessary.

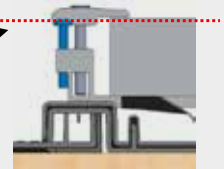
## 10. Clamping



Tightening torque 8.8 Nm



Adjust the stop screws on the end clamp.




## 13. Installation of the roof tiles



For curved and S-interlocking roof tiles: EPDM seal.

Minimum roof tile overlap at top of frame: 150 mm | 5.90 inch.

  
**TEJAS BORJA**  
Since 1899

Una marca  
**EDILIANS GROUP**



**125** years  
1899-2024

TEJAS BORJA S.A.U (Edilians Group)  
Ctra. Llíria a Pedralba, Km. 3 - 46160 Llíria, Valencia, SPAIN  
T.+34 96 279 80 14 - solar@tejasborja.com - tejasborja.com